



## **Spare parts list**

**(14239530) K 3.78 M-Plus**

**(14239540) K 3.81M-PLUS**

**(16361510) K 3.81M-PLUS \*MX**

# CONTENT LIST

## 1.0 HOUSING

## 2.0 PUMP SET

2.1 Housing

2.2 THRUST GUIDANCE

2.3 Housing

[1.423-954.0/1.636-151.0](#)

2.4 Thrust guidance

[1.423-954.0/1.636-151.0](#)

## 3.0 Motor

3.1 MOTOR

3.2 Motor

[1.636-151.0](#)

## 4.0 ACCESSORIES

4.1 TRIGGER GUN

4.2 JET PIPE

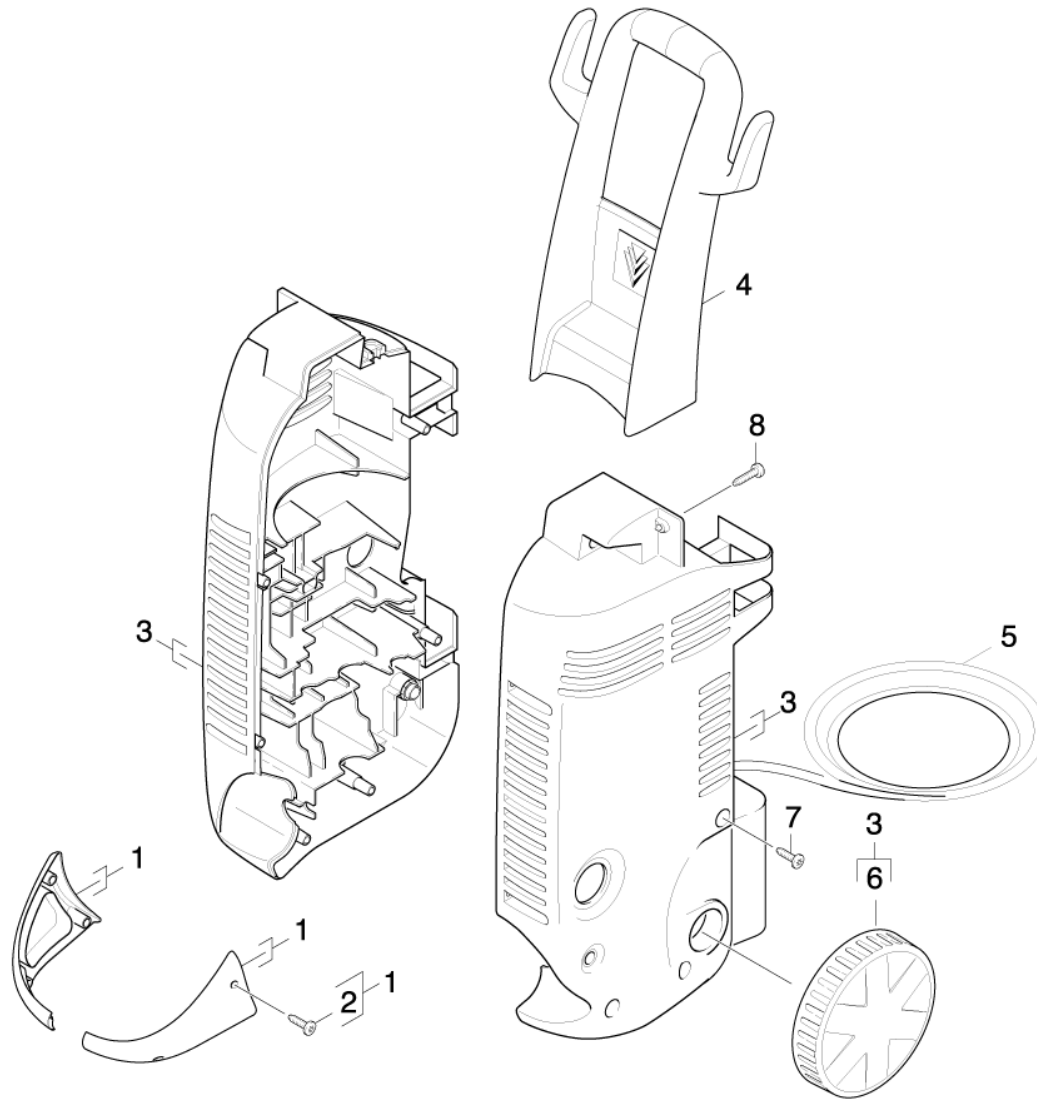
## 5.0 Electric box

5.1 Electric box

5.2 Electric box

[1.636-151.0](#)

# 1.0 HOUSING



## 1.0 HOUSING

POS	DESCRIPTION ADDITIONAL INFORMATIONS	PART NO	QTY.	FROM SER.NR.	UP TO SER. NR.
1	BUMPER	90012580	1		
2	OVAL HEAD SCREW	90861920	6		
3	COVER	90119140	1		
4	HANDLE	90119210	1		
5	CABLE MIT STECKER 1.423-953.0 / -954.0	90840870	1		
5	Cable 1.636-151.0	90841510	1		
6	Wheel set SET OF 2 PIECES	90011130	1		
7	Srew 4x22	90861730	7		
8	Screw 4x22	90862030	2		

## 2.0 PUMP SET

2.1 Housing

2.2 THRUST GUIDANCE

2.3 Housing

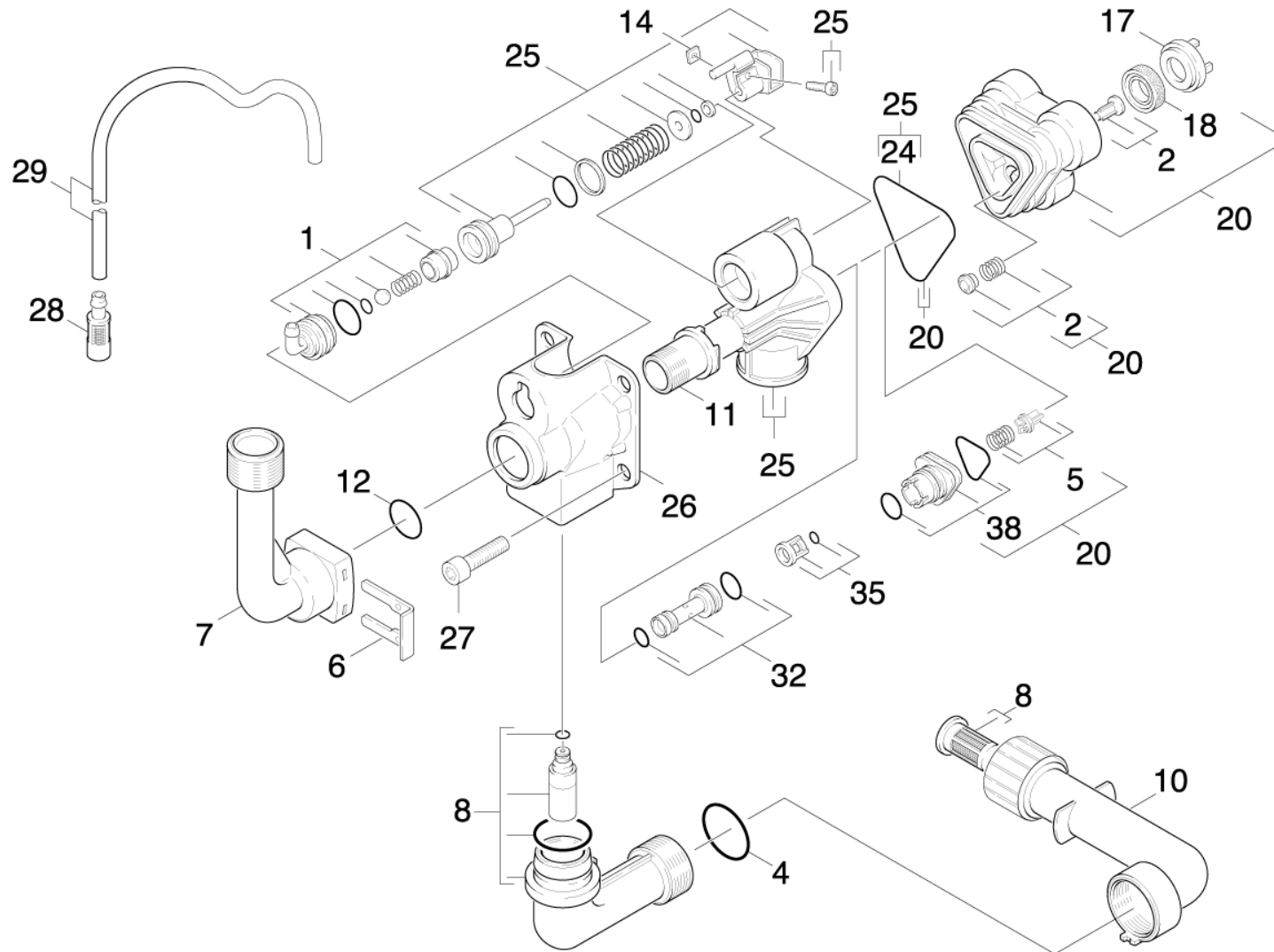
[1.423-954.0/1.636-151.0](#)

2.4 Thrust guidance

[1.423-954.0/1.636-151.0](#)



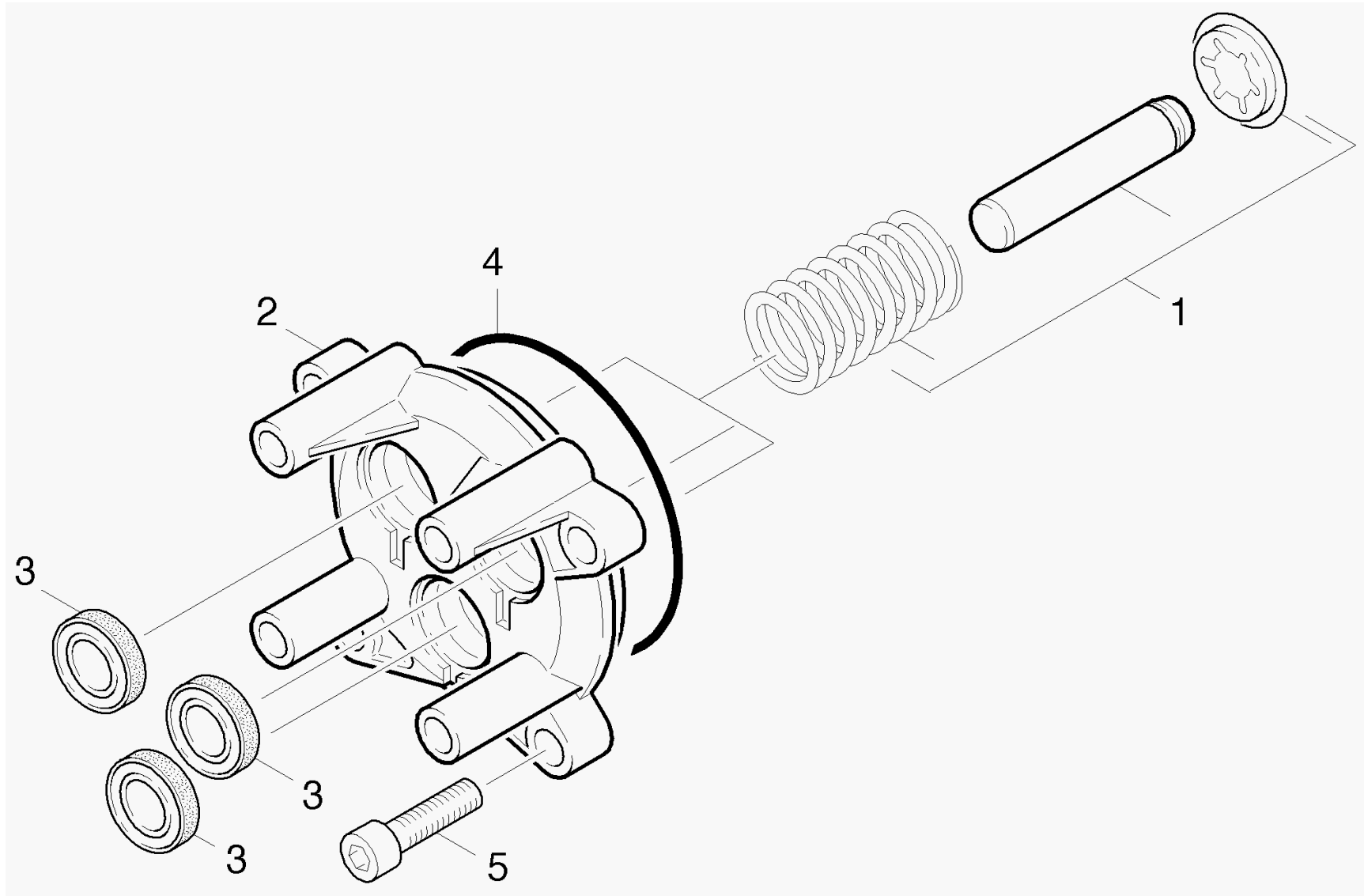
## 2.1 Housing



## 2.1 Housing

POS	DESCRIPTION ADDITIONAL INFORMATIONS	PART NO	QTY.	FROM SER.NR.	UP TO SER. NR.
1	Spare part set nipple chemistry	90011030	1		
2	MOULDED PART SET CONSISTS OF 3X MACHINED PART COMPL.	90011100	1		
4	O-Ring seal 17,86x2,62	90814200	1		
5	VENTILSET SET CONSISTSTS OF 3X VALVE	90011490	1		
6	CLAMP	90391480	1		
7	Connection delivery side	90367030	1		
8	Spare part set	90012300	1		
10	Connection suction side	90013620	1		
11	SLEEVE	90368190	1		
12	O RING	63621510	1		
14	Square nut M4 -04-A2E DIN 562	73115690	1		
17	SUPPORTING DISK	90363220	3		
18	Water sealing d.12x20x5	63628750	3		
20	Spare parts set cylinder head	90012150	1		
24	Form seal	90814220	1		
25	SPARE PARTS SET	90011040	1		
26	Cover	90391170	1		
27	Cylinder head screw M8x25 -8.8-A2E ISO4	73060420	4		
28	Filter with weight	57316090	1		
29	Hose DN 5 TO ORDER AS CUT GOODS	63882160	1		
32	Injector complete	90012310	1		
35	CAGE	90011070	1		
38	JOINING PIECE	90011060	1		

## 2.2 THRUST GUIDANCE



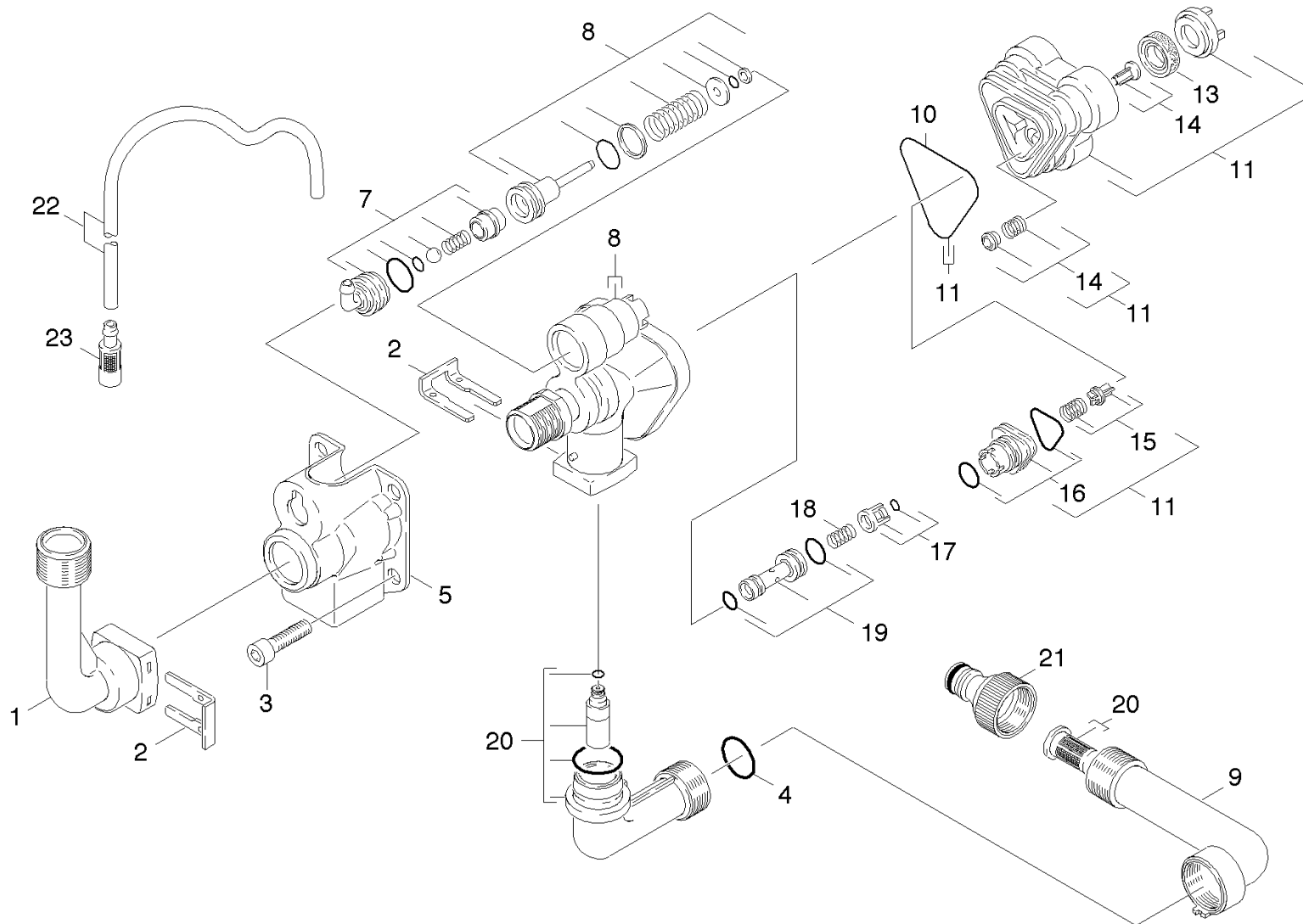


## 2.2 THRUST GUIDANCE

POS	DESCRIPTION ADDITIONAL INFORMATIONS	PART NO	QTY.	FROM SER.NR.	UP TO SER. NR.
1	Piston completely SET CONSISTS OF 3X PISTON COMPL.	90013200	3		
2	Thrust guidance	90013210	1		
3	SEAL	69640260	1		
4	GASKET	90813730	1		
5	Cylinder head screw M8x25 -8.8-A2E ISO4	73060420	4		

## 2.3 Housing

1.423-954.0/1.636-151.0



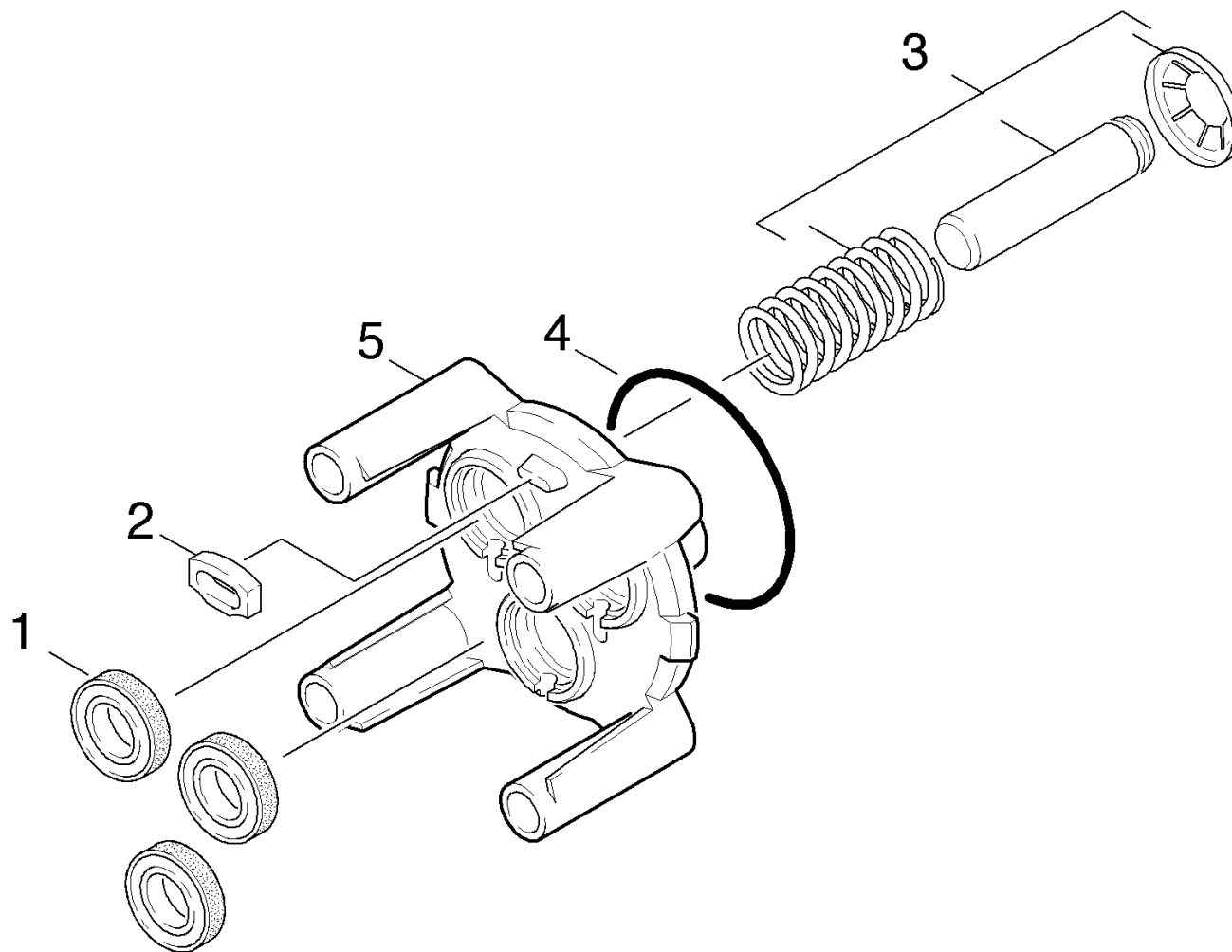
## 2.3 Housing

### 1.423-954.0/1.636-151.0

POS	DESCRIPTION ADDITIONAL INFORMATIONS	PART NO	QTY.	FROM SER.NR.	UP TO SER. NR.
1	Connection delivery side	90367030	1		
2	CLAMP	90391480	2		
3	SCREW M8x55 CLASSE 8.8	90862000	4		
4	O-RING	90814210	1		
5	Cover	90391660	1		
7	RM ANSAUGUNG	90112850	1		
8	Spare parts set control head	90012670	1		
9	Suction connection 1.423-954.0	90118890	1		
9	Connection suction side black 1.423-953.0/1.636-151.0	90368010	1		
10	Form seal	90814220	1		
11	Spare parts set cylinder head	90012150	1		
13	Water sealing d.12x20x5	63628750	3		
14	MOULDED PART	90011100	1		
15	VENTILSET	90011490	1		
16	JOINING PIECE	90011060	1		
17	CAGE	90011070	1		
18	Spring	90470260	1		
19	INJECTOR	90011080	1		
20	Spare part set suction side	90013100	1		
21	Connection 3/4"	63898700	1		
22	Hose DN 5 TO ORDER AS CUT GOODS	63882160	1		
23	Filter with weight	57316090	1		

## 2.4 Thrust guidance

1.423-954.0/1.636-151.0



## 2.4 Thrust guidance

### 1.423-954.0/1.636-151.0

POS	DESCRIPTION ADDITIONAL INFORMATIONS	PART NO	QTY.	FROM SER.NR.	UP TO SER. NR.
1	SEAL	69640260	1		
2	SPACER	90480710	1		
3	Piston completely SET CONSISTS OF 3X PISTON COMPL.	90013200	1		
4	GASKET 61,6 X 2,62	63628260	1		
5	PISTON GUIDE K130	90420350	1		

## 3.0 Motor

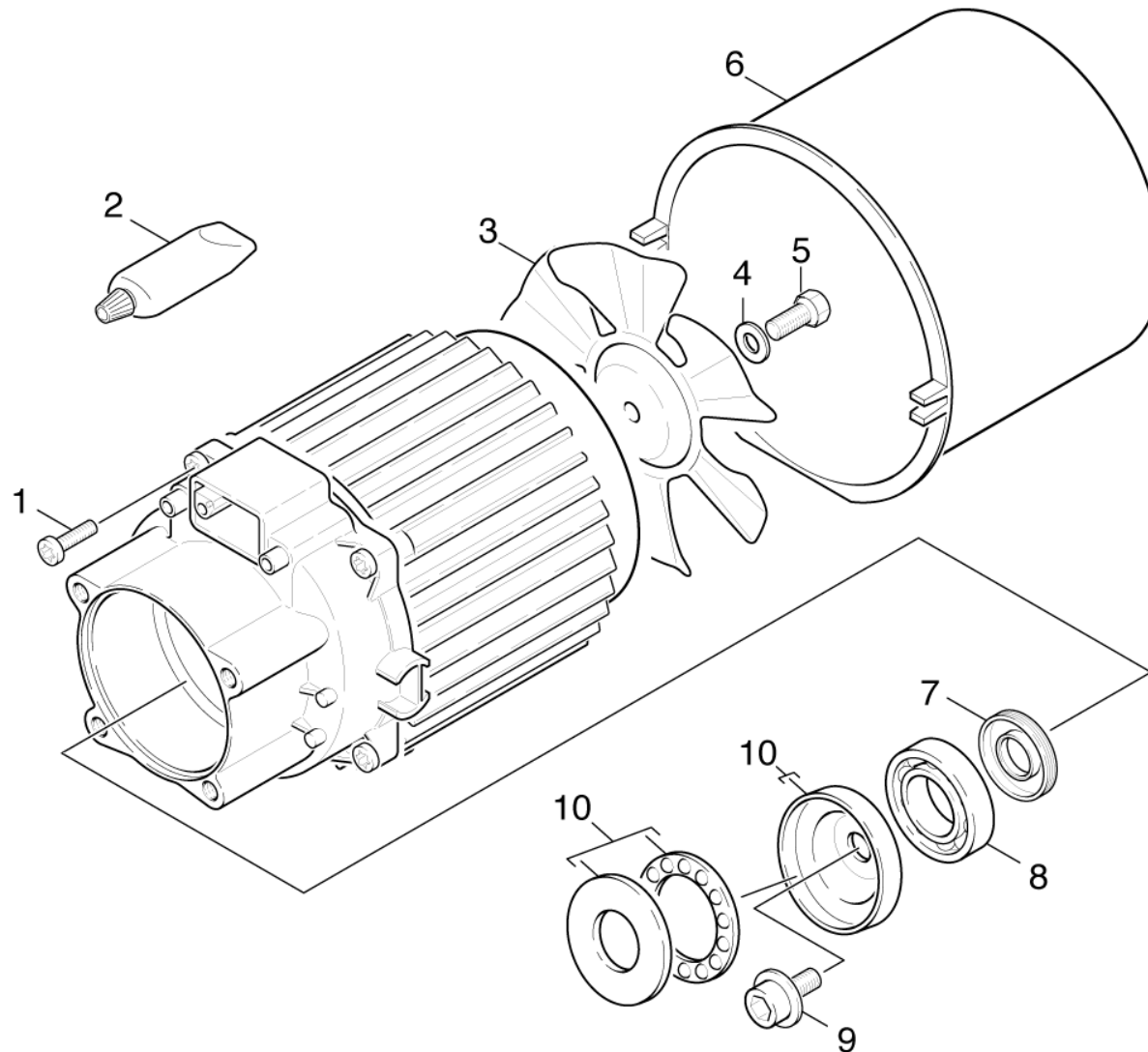
3.1 MOTOR

3.2 Motor

1.636-151.0



### 3.1 MOTOR



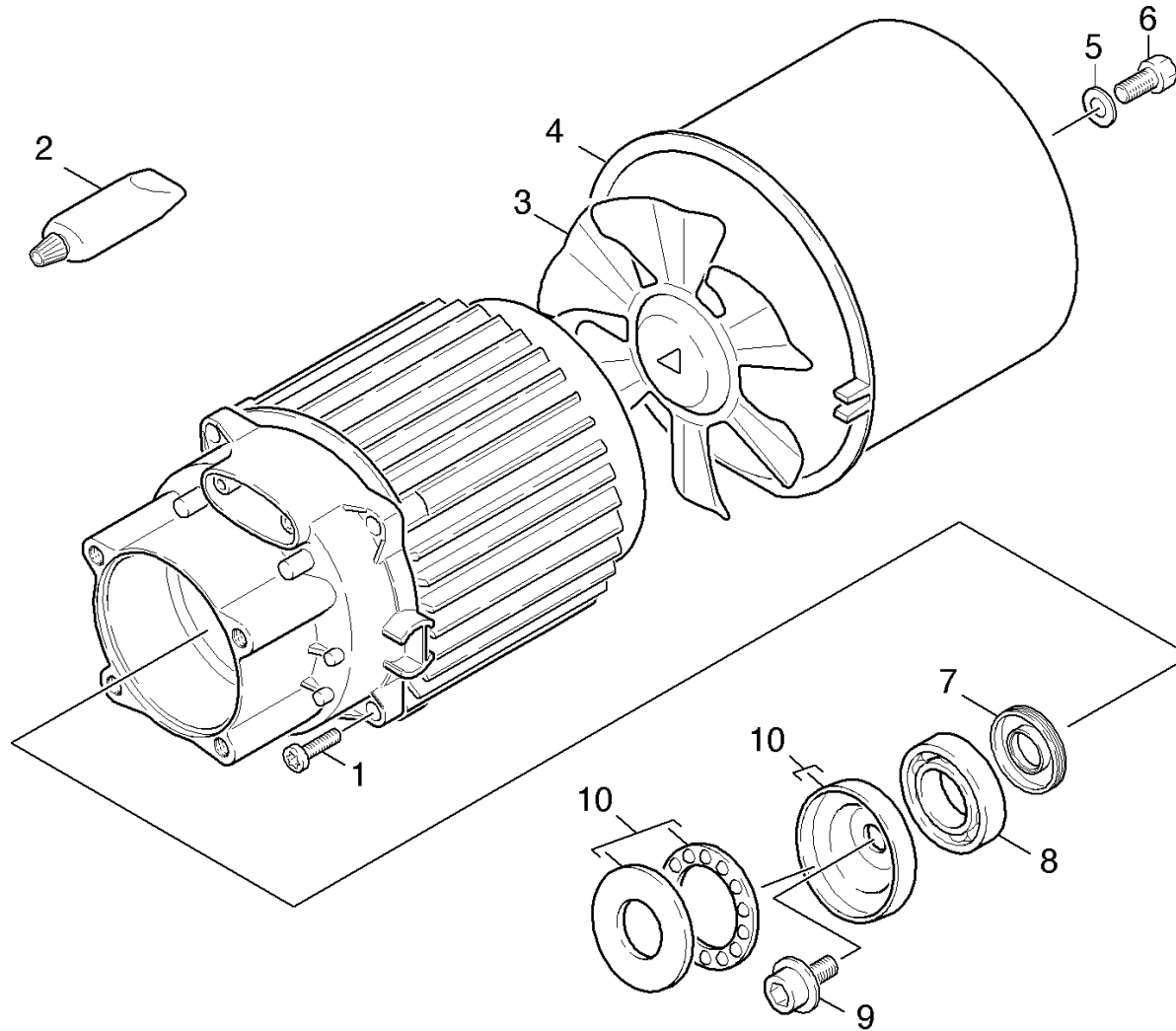
### 3.1 MOTOR

POS	DESCRIPTION <a href="#">ADDITIONAL INFORMATIONS</a>	PART NO	QTY.	FROM SER.NR.	UP TO SER. NR.
1	CYLINDER HEAD KPL.	90861530	4		
2	GREASE (50ML)	69640920	1		
3	MOTOR FAN	90391880	1		
4	Serrated lock washer A8,4-FSt-A3E DIN67	73122330	1		
5	Hexagonal head screw M8x16 -8.8-A2E ISO	73043950	1		
6	HOUSING	69640900	1		
7	ROTARY SHAFT SEAL	90780040	1		
8	Ball bearing 6303-St DIN 625	74010100	1		
9	Wobble plate screw M8x16	90861690	1		
10	Swash plate <a href="#">1.423-954.0</a>	90013020	1		



## 3.2 Motor

1.636-151.0



## 3.2 Motor

### 1.636-151.0

POS	DESCRIPTION ADDITIONAL INFORMATIONS	PART NO	QTY.	FROM SER.NR.	UP TO SER. NR.
1	VITE AUTOFILETT. M5X20 TRILOBATA	90861850	4		
2	GREASE (50ML)	69640920	1		
3	MOTOR FAN	90391880	1		
4	HOUSING	69640900	1		
5	Serrated lock washer A8,4-FSt-A3E DIN67	73122330	1		
6	Hexagonal head screw M8x16 -8.8-A2E ISO	73043950	1		
7	ROTARY SHAFT SEAL	63670970	1		
8	BALL BEARING 6204	74011220	1		
9	VITE PIATTELLO	90363880	1		
10	Swash plate complete	90013880	1		

## 4.0 ACCESSORIES

4.1 TRIGGER GUN

4.2 JET PIPE

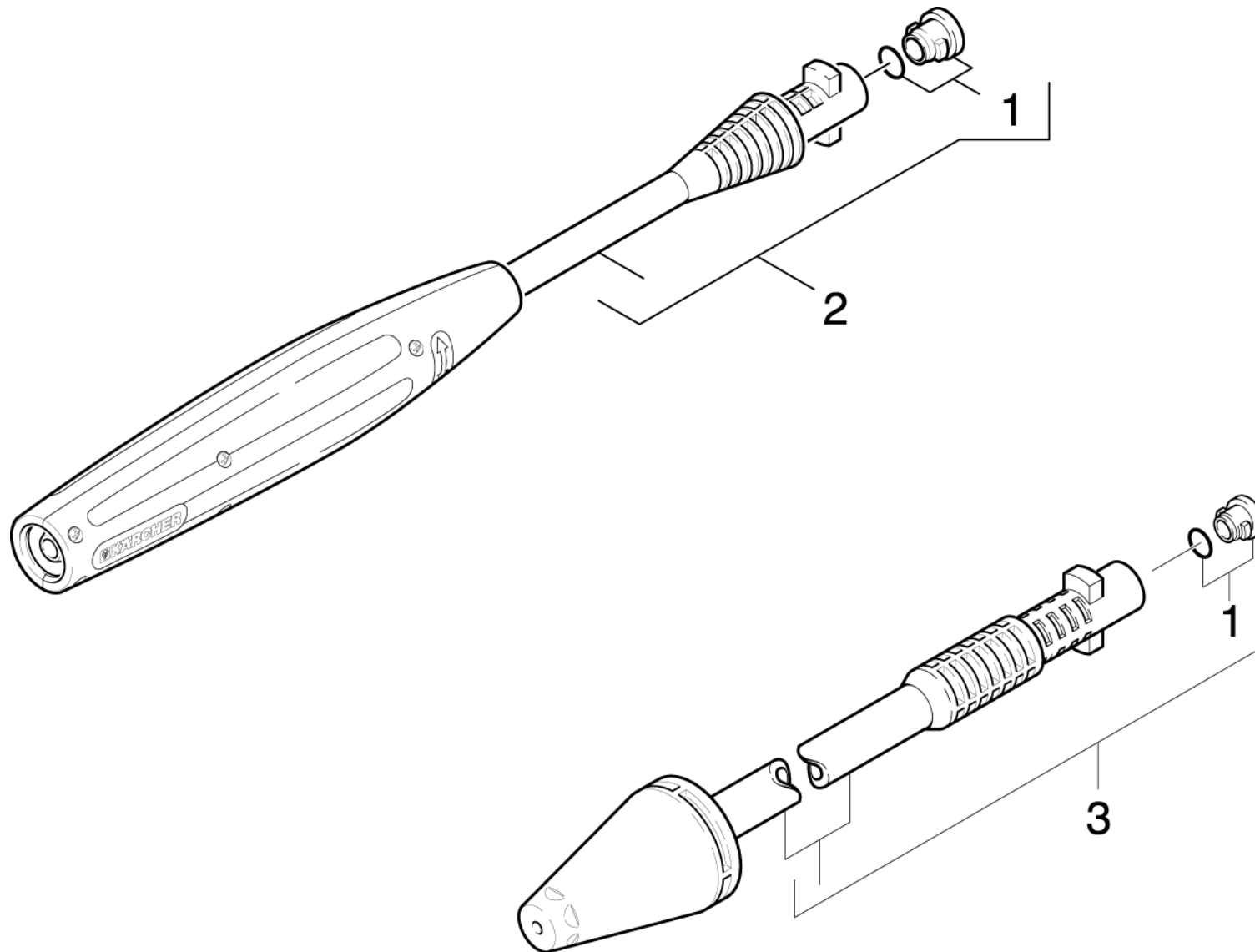




## 4.1 TRIGGER GUN

POS	DESCRIPTION ADDITIONAL INFORMATIONS	PART NO	QTY.	FROM SER.NR.	UP TO SER. NR.
0	PISTOL	47753890	1		
1	CLAMP	50371370	1		
2	Pressure spring	53324640	1		
3	Spare part set O-Ring seal 5x-Kaercher	28802960	1		
4	High pressure hose 9/16MPa /1.636-151.0	63904630	1		
4	HOSE /1.423-953.0/-954.0	63904990	1		
5	GASKET	63631980	1		

## 4.2 JET PIPE



## 4.2 JET PIPE

POS	DESCRIPTION ADDITIONAL INFORMATIONS	PART NO	QTY.	FROM SER.NR.	UP TO SER. NR.
1	GASKET	26407290	1		
2	VPS K3 0287 <a href="#">1.423-953.0</a>	47605340	1		
2	VPS K3 024 <a href="#">1.423-954.0</a>	47605770	1		
2	VPS K3 0225 K <a href="#">/1.636-151.0</a>	47605850	1		
3	Rotor nozzle /033 ST <a href="#">/1.423-953.0/-954.0</a>	47639860	1		
3	ROTARY NOZZLE <a href="#">/1.636-151.0</a>	47639910	1		

## 5.0 Electric box

5.1 Electric box

5.2 Electric box

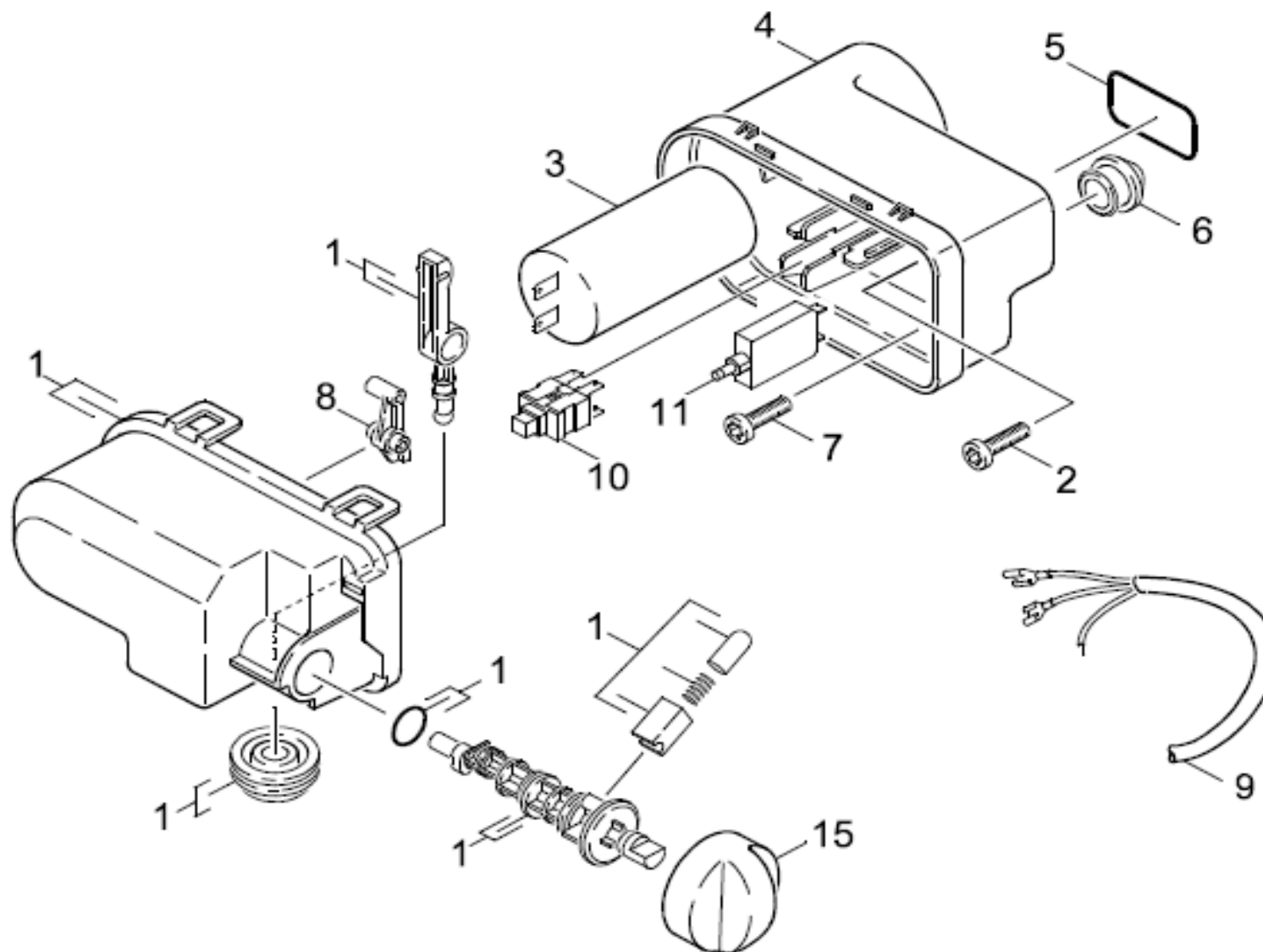
1.636-151.0





## 5.1 Electric box

updated 10 Mar 2009



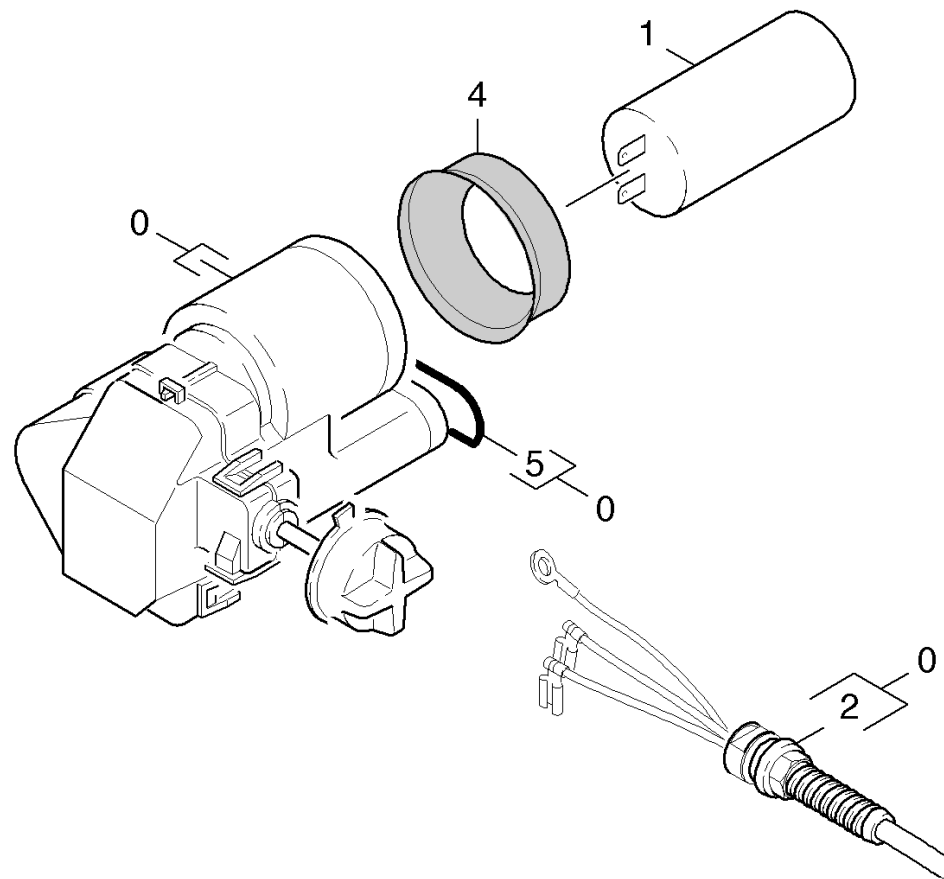
**5.1 Electric box**

updated 10 Mar 2009

POS	DESCRIPTION ADDITIONAL INFORMATIONS	PART NO	QTY.	FROM SER. NR.	UP TO SER. NR.
1	Cover Electric Box *USA	90113820	1		
2	Screw M4x10 -St-P2R (In6Rd)	73030310	1		
3	Capacitor 60µF	66611960	1		
4	Housing Electric Box ABS *USA	90364260	1		
5	Gasket 19x34x2.62	90814080	1		
6	Wire Protecting Sleeve	90480110	1		
7	CYLINDER HEAD KPL.	90861530	1		
8	Switch Lever	90363840	1		
9	Cable with Plug USA GFCI/K 370	90840870	1		
10	Switch 16A 3/4HF	90850340	1		
11	Motor Protecting Switch 15A	90850320	1		
15	Switch Knob	90363510	1		

## 5.2 Electric box

1.636-151.0



## 5.2 Electric box

### 1.636-151.0

POS	DESCRIPTION ADDITIONAL INFORMATIONS	PART NO	QTY.	FROM SER.NR.	UP TO SER. NR.
0	Electric box <a href="#">1.423-954.0</a>	90014080	1	300000	
0	Electric box <a href="#">1.636-151.0</a>	90015770	1		
1	Capacitor 60μF	90850600	1		
2	Cable with plug <a href="#">1.423-954.0</a>	90841490	1	300000	
2	Cable <a href="#">1.636-151.0</a>	90841510	1		
4	GASKET	90804210	1		
5	O-RING	90814170	1		